

## Commissioning

- Push the labelled male and female connectors together to power the demister pad.
- Refit the mirror front onto the wall back. Ensure that the seals are correctly located before securing with the four screws.
- Replace fuse or circuit breaker and switch on. Your light is now ready for use.
- Activate your new LED mirror by swiping your hand in front of the sensor.

## Shaver Socket Instructions

- The shaver socket is powered by a 20W isolating transformer and is only intended for use with electric shavers, electric toothbrush chargers and similar products.
- Any appliance connected to the socket must not exceed the 20W power output as this could cause damage and overheating to occur.
- Always check your appliance instructions to ensure the power requirements are less than 20W.

## Demister Operation

- Simply turn on the demister switch on the side. The demister pad will warm the mirror surface.
- The demisting effect will spread approximately 10 - 20% further than the pad itself.

- We recommend cleaning with a soft dry cloth. Do not use solvents or abrasive cleaners as these could damage the finish.
- Mirror – Use a damp cloth or a propriety glass cleaner. Do not use abrasive materials as these will damage the finish.

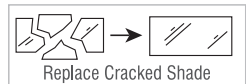
## Recycling advice



Waste electrical products should not be disposed of with household waste. Please recycle where facilities exist. Check with your Local Authority or retailer for recycling advice.

## Safety information

**Live Voltages may be present in this unit even when turned off or when completely disconnected.** For your safety, always switch off the supply before changing lightbulbs, or cleaning.



The mirror must be replaced immediately should it become cracked or damaged. This fitting must not be used without the mirror in place.

## Instruction leaflet

# Rift Mirror

60895



saxby  
lighting

Thank you for purchasing this light fitting. Please read the instructions carefully before use to ensure safe and satisfactory operation of this product. Please retain these instructions for future reference.

## Warning

### This is a Class 1 product and must be earthed

Please read these instructions carefully before commencing any work.

This unit must be fitted by a competent and qualified electrician.

Install in accordance with IEE Wiring regulations and current Building Regulations.

To prevent electrocution switch off at mains supply before installing or maintaining this fitting. Ensure other persons cannot restore the electrical supply without your knowledge.

This light fitting should be connected to a fused circuit.

If replacing an existing fitting, make a careful note of the connections.

This system contains non-replaceable parts and cannot be serviced. If damage occurs the part should be scrapped.

This product is not suitable for dimming.

This product is rated at IP44.

This product contains a demister pad. If this pad is damaged in anyway then it should be replaced by a qualified electrician.

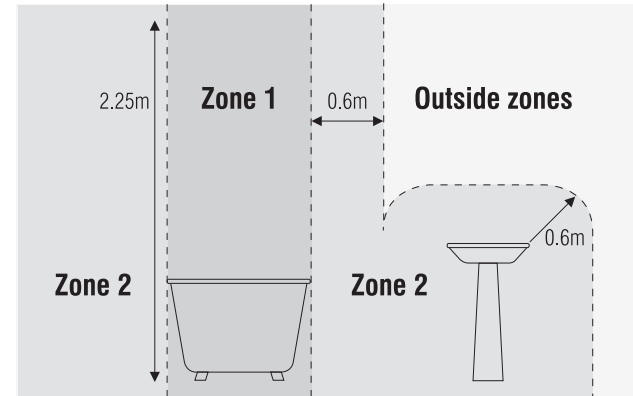
Waste electrical products should not be disposed of with household waste. Please recycle where facilities exist. Check with your local authority or retailer for recycling advice.

## Specification

Voltage:	240V 50Hz a.c.
Lamp:	8.5W LED (SMD 2835) Cool White
IP rating:	44
Shaver socket:	115V - 240V dual socket

## Layout

- Cables in walls must be protected using suitable conduit or plastic trunking.
- The mains supply cable must have a minimum cross sectional area of 1.0mm<sup>2</sup>.
- This product has special protection against the ingress of moisture and is IP44 rated.
- This product is fitted with a no touch infra-red switch, helping to keep the mirror clear of fingerprints. When installing the product, the sensor switch must be at least 150mm from an adjacent wall or obstruction to ensure the switch can function properly.



This product is suitable for use in Zone 2 and outside Zones of a bathroom. See diagram. If this unit is being fitted in a room containing a bath or shower, a 30mA RCD must be used, in accordance with IEE regulations.

## Installation

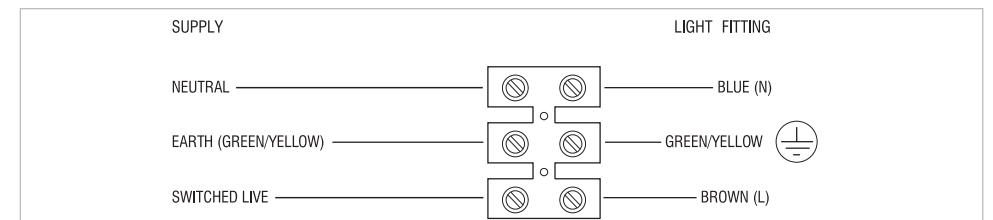
Existing fittings must be completely removed before installation of a new product. Before removing the existing fitting, **carefully note the position of each set of wires.**

- Undo the screws (two on each side of the fitting) and remove the front mirror assembly and set aside.
- Hold the back plate in place and mark the position of the fixing holes. Ensure that the product is level.

- Ensure the wall is capable of holding the weight of the product. Take care to avoid damaging any concealed wiring and pipes. The correct fixings should be used for brick, cavity walls or plasterboard.
- Pierce grommet and pass the supply cable through the hole in the wall back.
- Fix the product into position.

## Wiring

Having correctly identified the wiring from your existing product in the following way:



## Check that...

- You have correctly identified the wires
- The connections are tight
- No loose strands have been left out of the connection block.